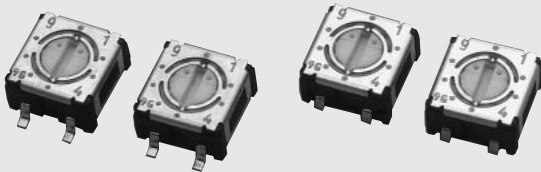


# S-4000

## ROTARY CODED SWITCHES (SMD)

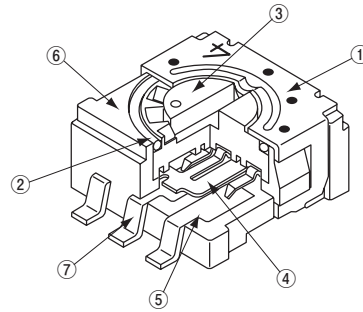
### RoHS compliant



### FEATURES

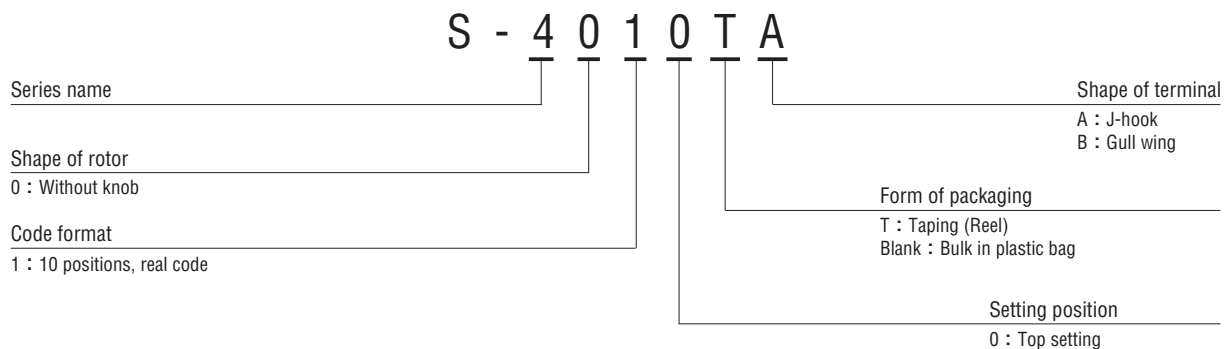
- RoHS compliant
- Small size of □4.8 mm makes it perfect for high density board mounting applications
- Compatible with most automatic pick & place machinery
- Gold plated contact provides excellent reliability
- Low profile design of 2.6 mm

### INTERNAL STRUCTURE



Part name	Material	Flammability
① Cover	Stainless steel (SUS 304)	—
② “O” ring	Silicone rubber	UL-94HB
③ Rotor	PPS(Polyphenylenesulphide)	UL-94V-0
④ Moving contact	Copper alloy, Gold-plated	—
⑤ Fixed contact		
⑥ Housing	PPS(Polyphenylenesulphide)	UL-94V-0
⑦ Terminal pin	Copper alloy, Gold-plated	—

### PART NUMBER DESIGNATION



### LIST OF PART NUMBERS

Setting position	Shape of terminal	Form of packaging	BCD real code	Piece in package
Top setting	A (J-hook)	Plastic bag	S-4010A	50 pcs./pack
		Taping	S-4010TA	500 pcs./reel
	B (Gull wing)	Plastic bag	S-4010B	50 pcs./pack
		Taping	S-4010TB	500 pcs./reel

\* Verify the above part numbers when placing orders.  
Taping version can be supplied only in reel unit.

# S-4000

## ROTARY CODED SWITCHES (SMD)

### STANDARD SPECIFICATIONS

Circuit type	BCD (Real code)
Operating temperature range	-25 ~ 70 °C
Storage temperature range	
Sealing	Non washable
Net weight	Approx. 0.12 g

### ELECTRICAL CHARACTERISTICS

Contact rating	DC50 V 100 mA DC2.4 V 100 mA
Non-switching Switching	
Contact resistance	100 mΩ maximum
Insulation resistance	100 MΩ (DC100 V) minimum
Dielectric strength	AC250 V, 60 s

### MECHANICAL CHARACTERISTICS

No. of positions	10
Adjustment torque	10 mN·m {102 gf·cm} maximum
Stepping angle	36° (10 positions)
Solderability	245 ± 3 °C, 2 ~ 3 s
Soldering heat	Reflow : 255 °C (Peak temperature) (Please refer to the profile below)
	Manual soldering : 350 ± 10 °C, 3 ~ 4 s
Shear (adhesion)	5 N {0.51 kgf} 10 s
Substrate bending	Width 90 mm, bend 3 mm, 5 s, 1 time
Pull-off strength	5 N {0.51 kgf} 10 s

{ } : Reference only

### ENVIRONMENTAL CHARACTERISTICS

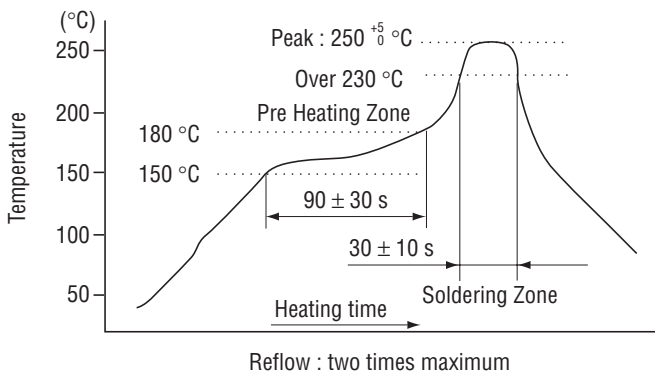
Vibration	Amplitude 1.5 mm or Acceleration 98 m/s <sup>2</sup> , 10-500-10 Hz, 3 directions for 2 h each
Shock	490 m/s <sup>2</sup> , 11 ms 6 directions for 3 times each
Load life	10000 steps minimum DC2.4 V 100 mA
Humidity (Steady state)	40 °C, Relative humidity 90 ~ 95 %, 240 h
High temperature exposure	70 °C, 96 h
Low temperature exposure	-25 °C, 96 h
Thermal shock	-25 (0.5 h) ~ 70 °C ( 0.5 h ), 5 cycles

### CODE FORMAT

No. of positions		10 positions									
Positions		0	1	2	3	4	5	6	7	8	9
Code	Real code	8								●	●
		4				●	●	●	●		
		2		●	●			●	●		
		1	●		●		●		●		●

● ...Contact closed

### <Reflow profile for soldering heat evaluation>



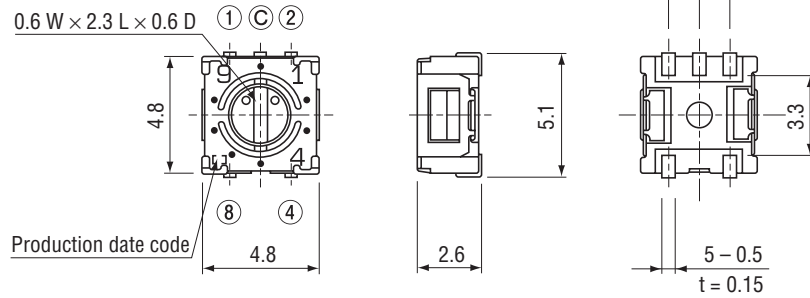
# S-4000

## ROTARY CODED SWITCHES (SMD)

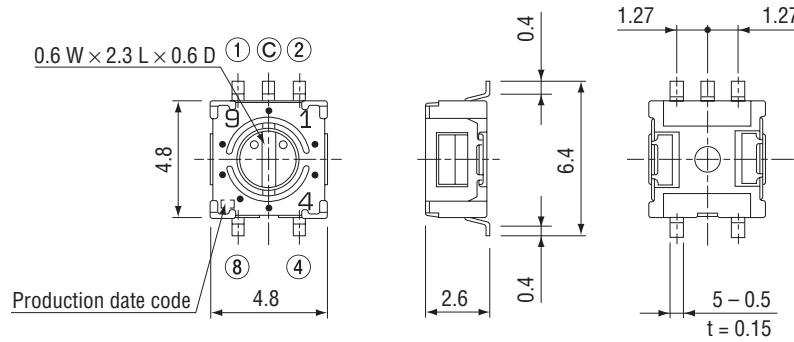
### OUTLINE DIMENSIONS

Unless otherwise specified, tolerance:  $\pm 0.3$  (Unit: mm)

#### ● S-4010A

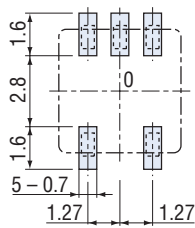


#### ● S-4010B



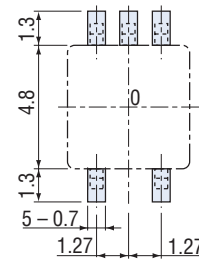
### RECOMMENDED P.C.B. PAD OUTLINE DIMENSIONS

#### ● A type



#### ● B type

(Unit : mm)



Note) The zero point is the center of mounting.

# S-4000

## ROTARY CODED SWITCHES (SMD)

### PACKAGING SPECIFICATIONS

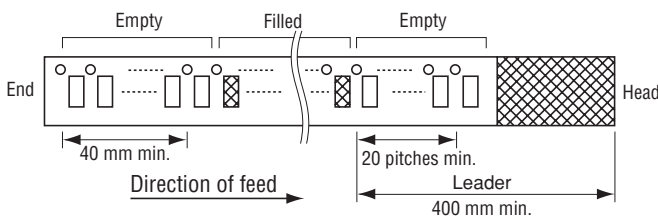
#### <Taping packaging specifications>

- Taping version is packaged in 500 pcs. per reel.  
Orders will be accepted for units of 500 pcs., i.e., 500, 1000, 1500, pcs., etc.
- Taping version is boxed with one reel (500 pcs.).

Maximum number of consecutive missing pieces=2.

Leader length and reel dimension are shown in the diagrams below:

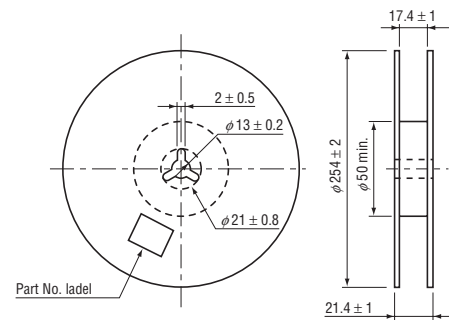
#### ● Embossed tape dimensions



#### ● Reel dimensions

(Unit: mm)

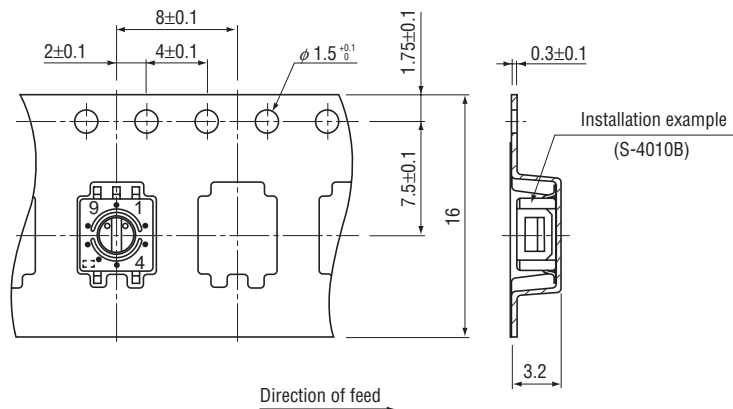
(Conforms to JIS C 0806-3)  
(In accordance with EIAJ ET-7200A)



#### ● S-4010TA/TB

(Conforms to JIS C 0806-3)

(Unit: mm)



#### <Bulk pack specifications>

- The smallest unit of bulk pack in plastic bag is 10 pcs. per pack.  
Orders will be accepted for unit of minimum 10 pcs., i.e., 10, 20, 30 pcs., etc.
- Boxing of bulk in a plastic bag is performed with 50 pcs. (Standard 200 pcs.) per box.