

DC GEARED MOTORS

# LA16G324B

RoHS compliant



LA16G324B50MC



LA16G324B120MC

Weight : approx. 25 g

## ■ PART NUMBER DESIGNATION

LA16G324B50MC

Series name

Gear ratio  
50 : 1/50  
120 : 1/120

## ■ LIST OF PART NUMBER

Gear ratio	Part number
1/50	LA16G324B50MC
1/120	LA16G324B120MC

※ Verify the above part numbers when placing orders.

# LA16G324B

## DC GEARED MOTORS

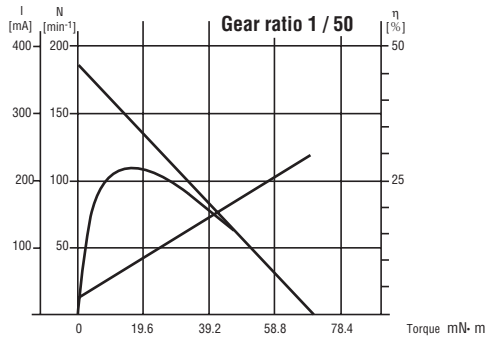
### STANDARD SPECIFICATIONS

Part number	Rated voltage	Rated torque	Rated speed	Rated current	No load speed	No load current	Starting torque	Starting current
LA16G324B50MC	12 V	14.7 mN·m	150 min <sup>-1</sup>	65 mA	190 min <sup>-1</sup>	20 mA	70.6 mN·m	230 mA
LA16G324B120MC		24.5 mN·m	65 min <sup>-1</sup>	52 mA	78 min <sup>-1</sup>		166.6 mN·m	

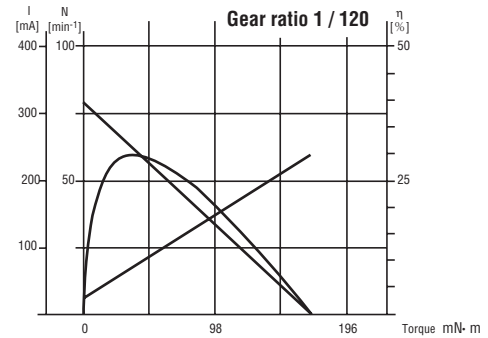
### PERFORMANCE CURVES

(Figures in the table are typical values under rated operating condition.)

#### LA16G324B50MC



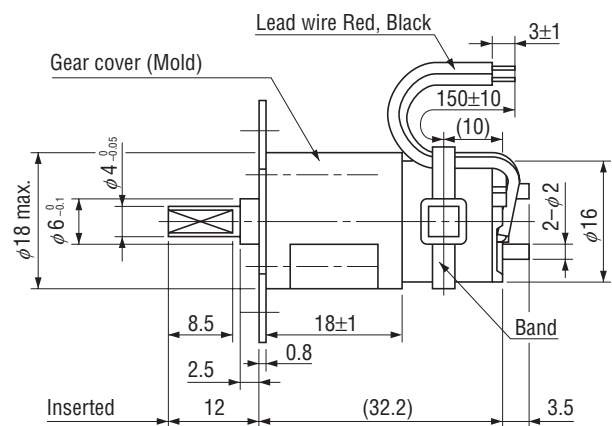
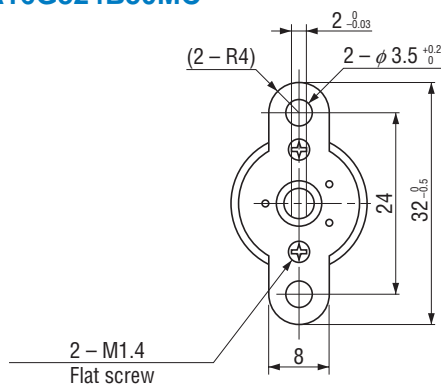
#### LA16G324B120MC



### OUTLINE DIMENSIONS

(Unit: mm)

#### LA16G324B50MC



#### LA16G324B120MC

