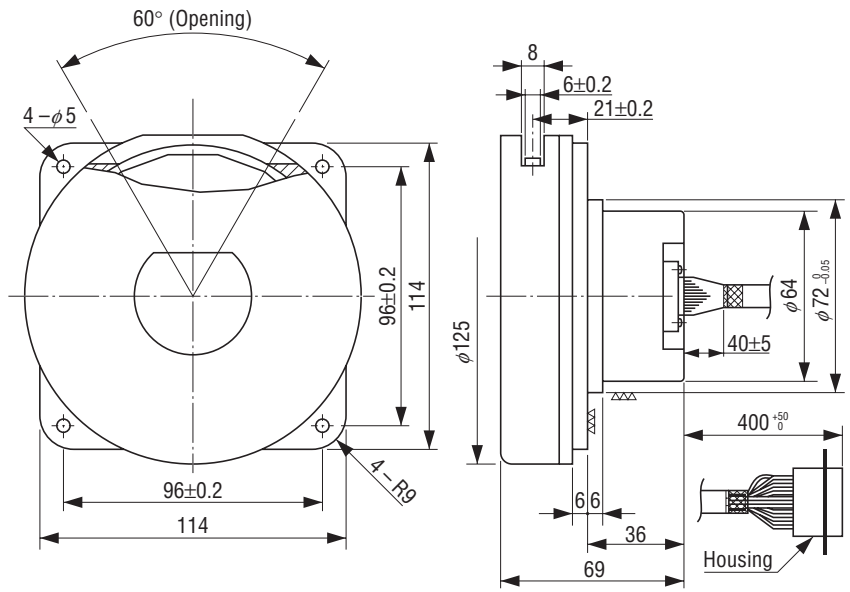


**PD60HR/PD60LA**  
**POLYGON LASER SCANNERS**

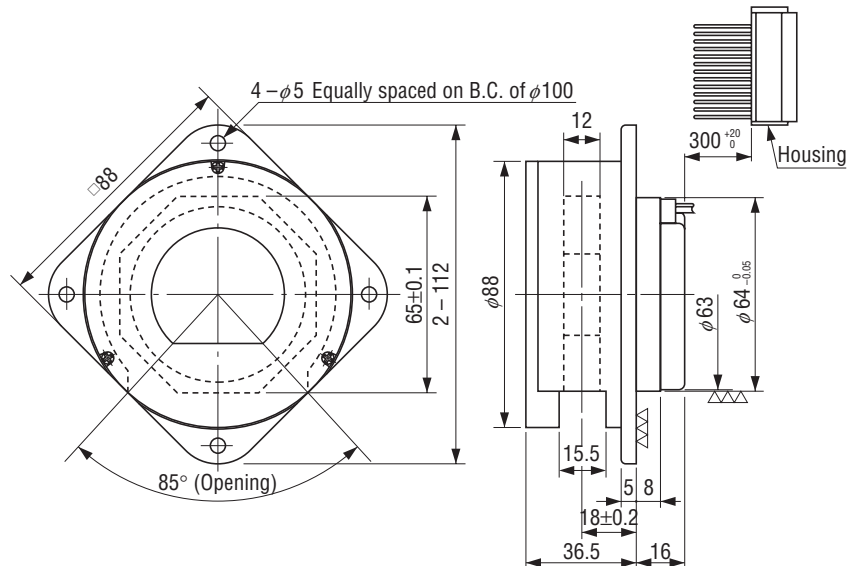
**TYPICAL OUTLINE DIMENSIONS (SCANNER ASSEMBLY)**

Unless otherwise specified, tolerance :  $\pm 0.5$  (Unit : mm)

**PD60HR**



**PD60LA**



**POLYGON LASER SCANNERS listed here are typical value.**  
**All our production will be made upon receipt of your order.**  
**Please contact your sales agent for details.**